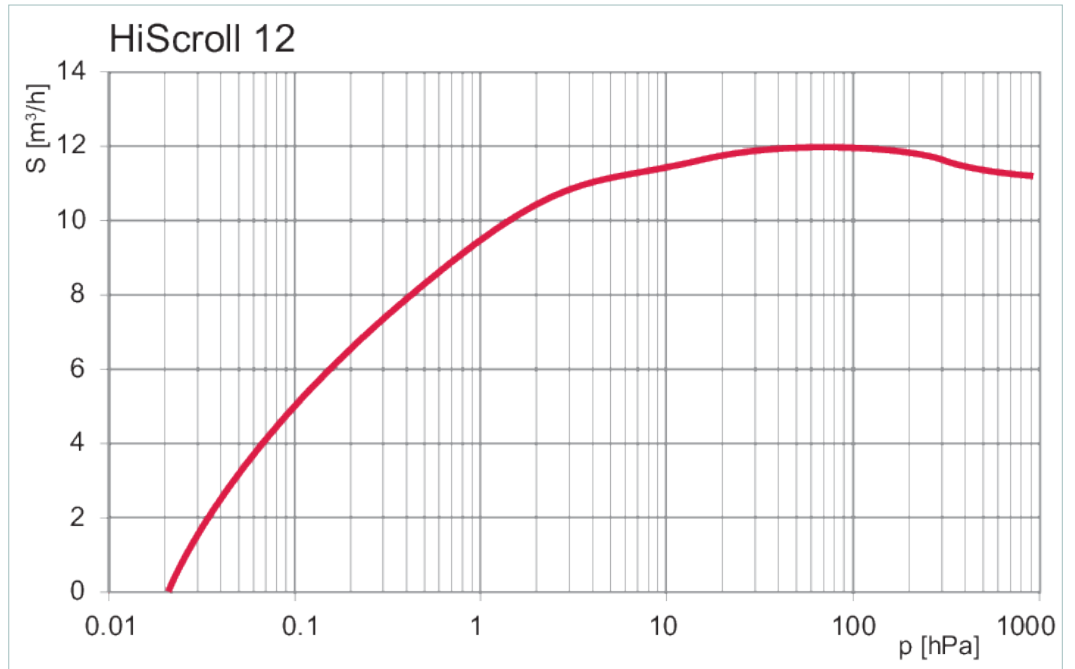




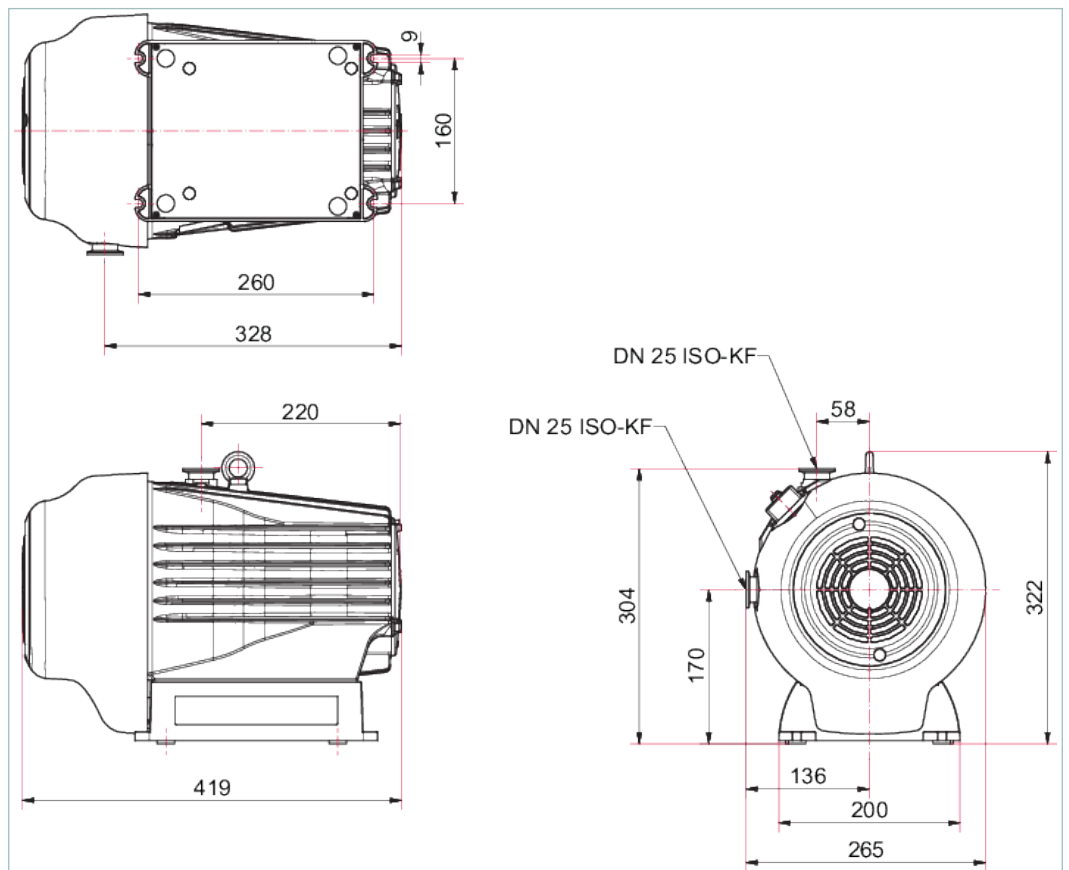
# HiScroll 12，涡旋泵（标准）



## HiScroll 12, 涡旋泵 (标准)



### 尺寸



技术参数	HiScroll 12, 涡旋泵 (标准)
§Input (Supply) rated current xHz	100 V – 127 V: 8 A 100 V – 127 V: 8 A
2524-Emission sound pressure level (EN ISO 2151)	47 (A)
I/O 接口	RS-485
不带气镇的最终压力	$2 \cdot 10^{-2}$
冷却类型, 标准	
安全阀泄漏率	$5 \cdot 10^{-7}$ Pa m <sup>3</sup> /s   $3.75 \cdot 10^{-6}$ Torr l/s   $5 \cdot 10^{-6}$ mbar l/s
尺寸 (长 x 宽 x 高)	419 x 265 x 304
开关	
抽速	12.1 m <sup>3</sup> /h   7.12 cfm   201.67 l/min
最大吸入压力	1100
最大连续进气压力	200
最高工作海拔	2000
最高排气压力	1500
气镇	
温度: 储存	-10 – 50 °C
环境温度	5 – 40 °C
电机保护	
转速	624-1,560 rpm   624-1,560 min <sup>-1</sup>
连接法兰 (入口)	DN 25 ISO-KF
连接法兰 (出口)	DN 25 ISO-KF
重量	24
防护等级	IP20

订单号	
HiScroll 12	PD S20 000

配件	
/	
SAS 25 S、DN 25 ISO-KF、聚酯过滤器	PK Z60 507
入口粒子过滤器 IPF 25 (DN 25)	111649
<b> RS-485</b>	
接口电缆, M12 m 直型/M12 m 直型, 3 m	PM 061 283 -T
/	
230 V AC 电源线, 从 CEE 7/7 连接到 C13, 3 m	P 4564 309 ZA
连接电缆, RS485 M12	PE 100 150 -X
<b>/Screw-on Caps</b>	
气镇阀螺旋帽	PD 100 067
RPT 010, 数字式压力/皮拉尼真空传感器	PE 100 183 -X
DCU 002, 显示控制装置	PM 061 348 AT
HPU 001, 手持式编程装置	PM 051 510 -T
插入式接头 G 1/8 ”, 包含用于软管连接的密封件 (8/6 mm)	P 4131 029 G
<b> RS-232/485</b>	
Y 型分配器 (M12 - RS-485)	P 4723 010
USB RS-485转换器	PM 061 207 -T

## **VACUUM SOLUTIONS FROM A SINGLE SOURCE**

Pfeiffer Vacuum stands for innovative and custom vacuum solutions worldwide, technological perfection, competent advice and reliable service.

## **COMPLETE RANGE OF PRODUCTS**

From a single component to complex systems:

We are the only supplier of vacuum technology that provides a complete product portfolio.

## **COMPETENCE IN THEORY AND PRACTICE**

Benefit from our know-how and our portfolio of training opportunities!

We support you with your plant layout and provide first-class on-site service worldwide.

Are you looking for a  
perfect vacuum solution?  
Please contact us:

**Pfeiffer Vacuum GmbH**  
Headquarters · Germany  
T +49 6441 802-0  
info@pfeiffer-vacuum.de

[www.pfeiffer-vacuum.com](http://www.pfeiffer-vacuum.com)

All data subject to change without prior notice.

**PFEIFFER**  **VACUUM**