



HiCube 80 Eco, DN 40 ISO-KF, MVP 015-4

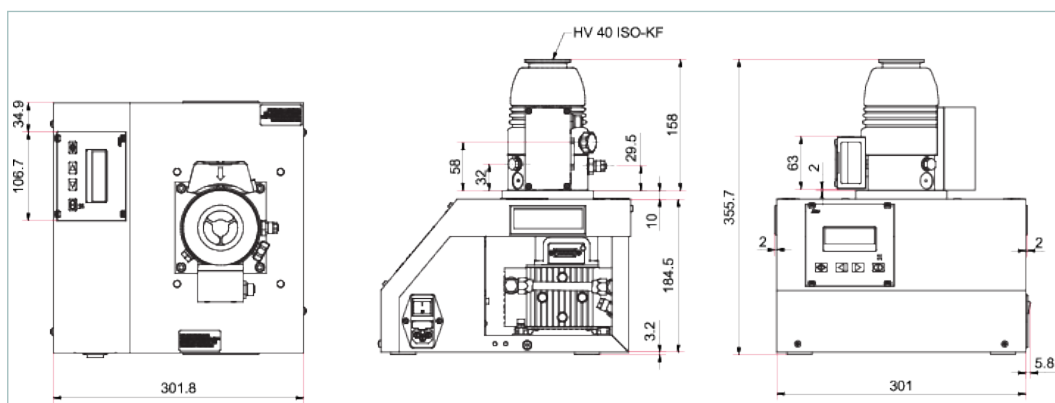


Similar Image

HiCube 80 Eco, DN 40 ISO-KF, MVP 015-4

- Compact high performance pumping station for all high and ultrahigh vacuum applications
- Plug and play solution with HiPace 80 turbopump and multistage diaphragm pump MVP 015-4
- Intermittent mode adapts the pumping station to the process conditions and saves up to 90% energy
- Easy integration of pressure gauges from the accessories

Dimensions



Technical Data	HiCube 80 Eco, DN 40 ISO-KF, MVP 015-4
Backing pump	MVP 015-4
Connection flange (in)	DN 40 ISO-KF
Connection flange (out)	Silencer, G 1/8"
Cooling method	Air
Final pressure	$< 1 \cdot 10^{-7}$ hPa $< 7.5 \cdot 10^{-8}$ Torr $< 1 \cdot 10^{-7}$ mbar
Final pressure without gas ballast	$< 1 \cdot 10^{-7}$ hPa $< 7.5 \cdot 10^{-8}$ Torr $< 1 \cdot 10^{-7}$ mbar
Fore-vacuum safety valve	No
Mains connection	110 – 240 V AC, 50/60 Hz
Mains connection: frequency (range)	50/60 Hz
Mains connection: power consumption	270 W
Mains connection: voltage	100 – 240 V
Power consumption max.	270 W
Pumping speed backing pump at 50 Hz	0.75 m ³ /h 0.44 cfm 12.5 l/min
Pumping speed for N ₂	35 l/s
Sound pressure level	≤50 dB(A)
Turbopump	HiPace 80
Type	Turbo pumping station
Weight	13.8 kg 30.42 lb

Order number	
HiCube 80 Eco	PM S73 150 00

VACUUM SOLUTIONS FROM A SINGLE SOURCE

Pfeiffer Vacuum stands for innovative and custom vacuum solutions worldwide, technological perfection, competent advice and reliable service.

COMPLETE RANGE OF PRODUCTS

From a single component to complex systems:

We are the only supplier of vacuum technology that provides a complete product portfolio.

COMPETENCE IN THEORY AND PRACTICE

Benefit from our know-how and our portfolio of training opportunities!

We support you with your plant layout and provide first-class on-site service worldwide.

Are you looking for a
perfect vacuum solution?
Please contact us:

Pfeiffer Vacuum GmbH
Headquarters · Germany
T +49 6441 802-0
info@pfeiffer-vacuum.de

www.pfeiffer-vacuum.com

All data subject to change without prior notice.

PFEIFFER  **VACUUM**