



# HiCube 300 Eco, DN 100 CF-F, MVP 030-3

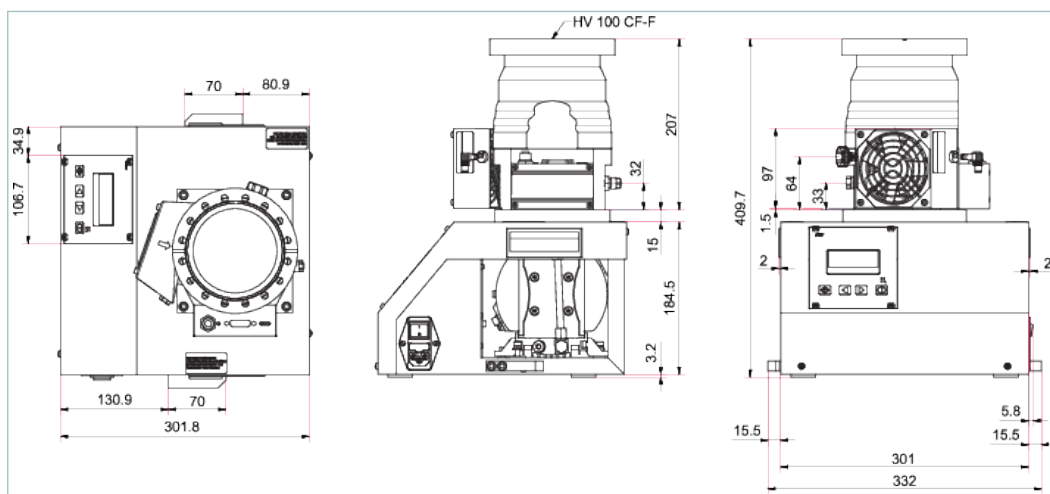


Similar Image

## HiCube 300 Eco, DN 100 CF-F, MVP 030-3

- Compact high performance pumping station for all high and ultrahigh vacuum applications
- Plug and play solution with HiPace 300 turbopump and multistage diaphragm pump MVP 030-3
- Intermittent mode adapts the pumping station to the process conditions and saves up to 90% energy
- Easy integration of pressure gauges from the accessories

### Dimensions



Technical Data	HiCube 300 Eco, DN 100 CF-F, MVP 030-3
Backing pump	MVP 030-3
Connection flange (in)	DN 100 CF-F
Connection flange (out)	Silencer, G 1/8"
Cooling method	Air
Final pressure	$< 1 \cdot 10^{-8}$ hPa   $< 7.5 \cdot 10^{-9}$ Torr   $< 1 \cdot 10^{-8}$ mbar
Final pressure without gas ballast	$< 1 \cdot 10^{-8}$ hPa   $< 7.5 \cdot 10^{-9}$ Torr   $< 1 \cdot 10^{-8}$ mbar
Fore-vacuum safety valve	No
Mains connection	110 – 240 V AC, 50/60 Hz
Mains connection: frequency (range)	50/60 Hz
Mains connection: power consumption	270 W
Mains connection: voltage	100 – 240 V
Power consumption max.	270 W
Pumping speed backing pump at 50 Hz	1.8 m <sup>3</sup> /h   1.06 cfm   30 l/min
Pumping speed for N <sub>2</sub>	260 l/s
Sound pressure level	≤50 dB(A)
Turbopump	HiPace 300
Type	Turbo pumping station
Weight	19.5 kg   42.99 lb

Order number	
HiCube 300 Eco	<b>PM S77 200 00</b>

## **VACUUM SOLUTIONS FROM A SINGLE SOURCE**

Pfeiffer Vacuum stands for innovative and custom vacuum solutions worldwide, technological perfection, competent advice and reliable service.

## **COMPLETE RANGE OF PRODUCTS**

From a single component to complex systems:

We are the only supplier of vacuum technology that provides a complete product portfolio.

## **COMPETENCE IN THEORY AND PRACTICE**

Benefit from our know-how and our portfolio of training opportunities!

We support you with your plant layout and provide first-class on-site service worldwide.

Are you looking for a  
perfect vacuum solution?  
Please contact us:

**Pfeiffer Vacuum GmbH**  
Headquarters · Germany  
T +49 6441 802-0  
info@pfeiffer-vacuum.de

[www.pfeiffer-vacuum.com](http://www.pfeiffer-vacuum.com)

All data subject to change without prior notice.

**PFEIFFER**  **VACUUM**